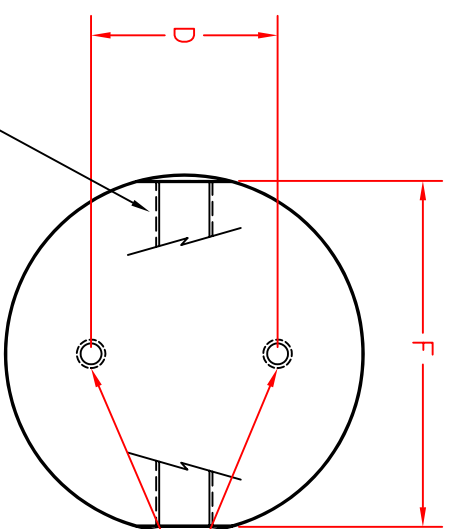
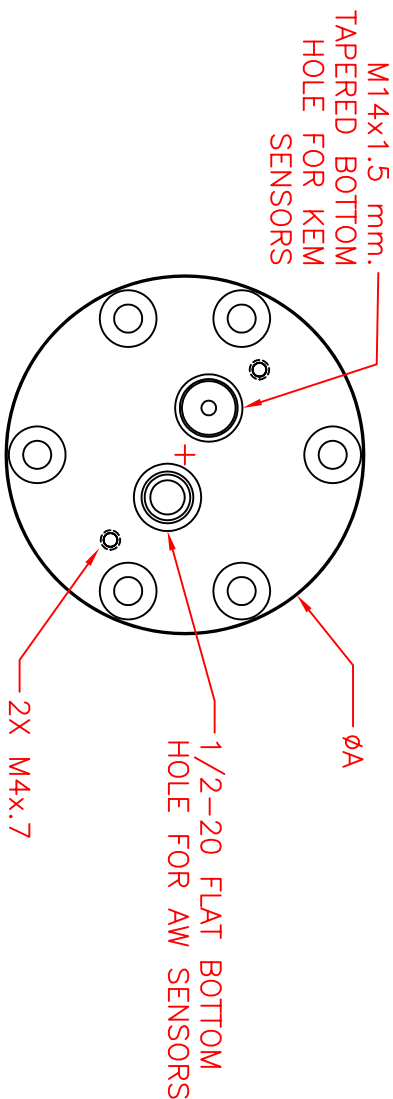
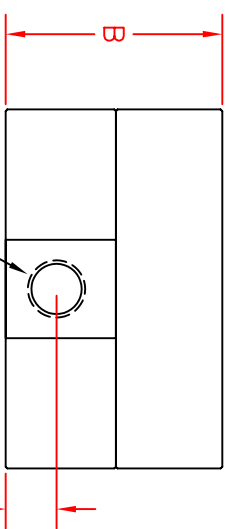


JVX-XXKG DIMENSIONS



M6 = 10mm DEEP
M8 = 16mm DEEP



OLD MODEL	NEW MODEL	PUL/GAL (AVERAGE)	A	B	C	D	E	F	G
JV-10KL	JV-12KG	53,000	76 (2.99)	55 (2.17)	12 (0.47)	44 (1.73)	M6	72 (2.83)	1/4" NPT
JV-20KL	JV-20KG	15,900	84.4 (3.32)	55 (2.17)	12 (0.47)	44 (1.73)	M6	80 (3.15)	1/4" NPT
-- --	JV-30KG	6,600	84.4 (3.32)	67 (2.64)	13 (0.51)	44 (1.73)	M6	80.4 (3.17)	1/2" NPT
JV-60KL	JV-60KG	1,800	125 (4.92)	107 (4.21)	19 (0.75)	60 (2.36)	M8	119 (4.69)	3/4" NPT

DIMENSIONS = (mm)

PURCHASED PART DRAWING

THIS PRINT, INCLUDING THE INFORMATION CONTAINED IN IT, IS THE PROPERTY OF AW-LAKE COMPANY. IT IS CONSIDERED PROPRIETARY IN NATURE AND MAY NOT BE USED OR DISCLOSED OUTSIDE OF AW COMPANY, EXCEPT UNDER PRIOR WRITTEN AGREEMENT. ANY MODIFICATIONS MADE TO OR COMMENTS WRITTEN ON THIS DRAWING BY UNAUTHORIZED PERSONNEL WILL VOID THIS DRAWING. ALL DIMENSIONS SHOWN ARE SUBJECT TO CHANGE WITHOUT NOTICE.

AW-LAKE COMPANY
A TRASK GROUP COMPANY

8809 INDUSTRIAL DRIVE
FRANKSVILLE, WI 53126
TEL. # (262) 884-9800
FAX. # (262) 884-9810

TITLE: JV-XXKG DIMENSIONS

DRAWING NUMBER: KG1D100D

DATE: 08-07-08

CHECKED BY: C.H.

REV: D

PAGE: 1 OF 1

DRAWN BY: CHRIS HUSSON

PART NUMBER: -

SCALE: NONE

DIMENSIONS SUBJECT TO CHANGE WITHOUT NOTICE